

Global Change Notification (GCN)

Product Family

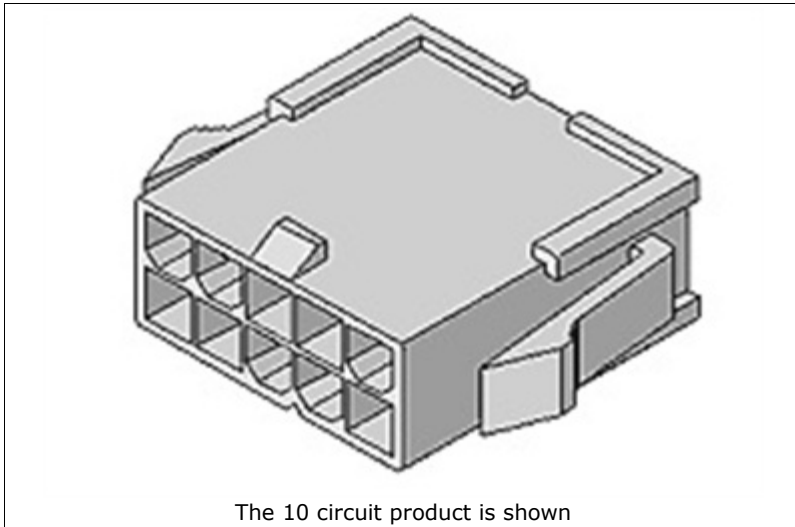
GCN Number

Series

Date Issued

Reason For Change

Change Description



The 10 circuit product is shown

Part Numbers Affected

Reason For Short Notice Exception

Assessment Of Change (How Product Will Be Qualified & Validated)

Internal Molex Qualification Date (Planned Date Information Available)

Sample Availability Date (Changed Part)

Date of Implementation

Method of Identifying Change

Recommended Replacement Parts

Last Time Buy Date for Obsolete Parts

Last Time Ship Date for Obsolete Parts

Contact	Name	E-mail	Phone Number
Sales Engineer	Please refer to e-mail message for your local sales engineer.		
Regional Coordinator (Japan and Korea)	Naomi Maruyama	Naomi.Maruyama@molex.co.jp	+81-46-265-2416
Regional Coordinator (Asia- excluding Japan and Korea)	Allen Yu	Allen.Yu@molex.com	+886-2-66251751
Regional Coordinator (Europe, Middle East, Africa)	QuiNann Lim	QuiNann.Lim@molex.com	+31-40-295-8472
Regional Coordinator (Americas)	Maria Sullivan	Maria.Sullivan@molex.com	1-727-322-4352

Molex, Inc.
 2222 Wellington Court
 Lisle, IL 60532
 TEL: 630-969-4747
www.molex.com

Material

39013063
39013066
39013069
50361675
688010222
688010757
885288000
887518000
889297400
898970070
887517900
687640200
687640204
687640205
687640206
687640241
687640289
688010031
688010257
688010413
688011068
688011069
688013763
688014421
799096304
799096305
799096306
920011479
367950089
796560018