



Product Change Notification

Current Date: 26-Mar-2015

TE Connectivity

Product Change Notification: E-14-009314

PCN Date: 25-MAR-15

Customer: Heilind Electronics
Inc(0002135900)

Location: WORLDWIDE

Agreement: Agreement Unknown

TE would like to inform you of the following change(s) to the listed TE Connectivity Product. In case of any further questions about this change(s), please contact your TE Connectivity Sales Engineer. Affected part, drawing and/or specification numbers are listed on the attached sheet(s).

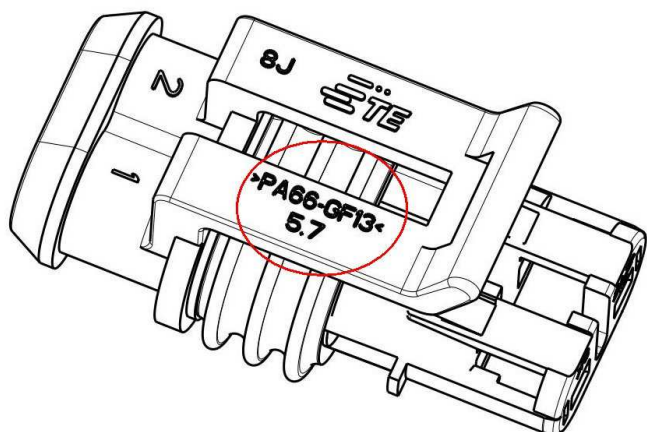
General Product Description:

Superseal 1.5 series connector.

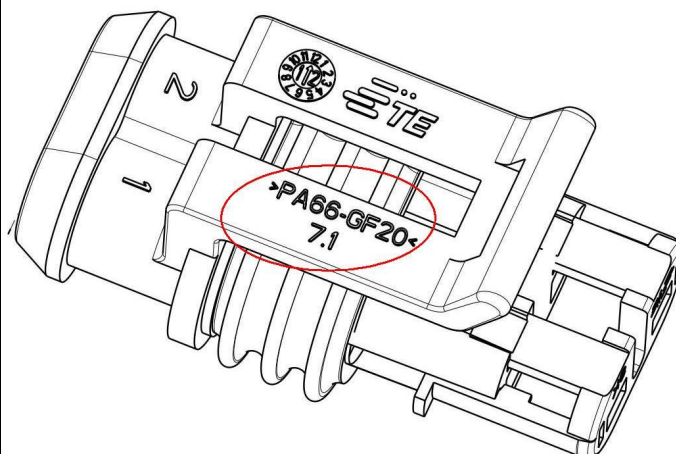
Description of Changes

Material change. This change is considered by TE Connectivity as an improvement. Location of change, see material logo.

Product image before change



Product image after change


Other attachments:
[Superseal test report](#)
Reason for Changes:

Product Improvement. PA66 20% GF material has to be replace the actual one (PA66 13% GF).

Estimated Dates:
Last Order Date (Obsolete Parts Only):

First Date To Ship (Changed Parts Only):

30-APR-2015

Last Ship Date (Obsolete Parts Only):

Last Date for Mixed Shipments: (Changed Parts Only):

30-JUN-2015

Part Number(s) being Modified:

Part Number	Part Discontinued per PCN	Customer Drawing	Customer Part Number	Alias Part Number(s)	Substitute Part Number	Substitute Alias Part Number(s)	Description Of Difference
282079-2	NO						
282080-1	NO						
282080-3	NO						
282087-1	NO						
282088-1	NO						
282089-1	NO						
282090-1	NO						

The documents listed below are being modified. Related parts that are not explicitly listed on this PCN are not being modified or discontinued as per the PCN. The Last Order Date, Last Ship Date, First Date to Ship Changed Parts and last date for Mixed Shipments apply only to parts explicitly listed on this PCN.

Customer Drawing(s) Being Modified:

Drawing Number	Current Revision	New Revision	Related Part Number	Customer Part Number
282079	F1		282089-1, 282087-1, 282088-1, 282079-2, 282090-1, 282080-1	
282080	C6		282089-1, 282087-1, 282088-1, 282079-2, 282090-1, 282080-1	
282087	B5		282089-1, 282087-1, 282088-1, 282079-2, 282090-1, 282080-1	
282088	B4		282089-1, 282087-1, 282088-1, 282079-2, 282090-1, 282080-1	
282089	C5		282089-1, 282087-1, 282088-1, 282079-2, 282090-1, 282080-1	
282090	D2		282089-1, 282087-1, 282088-1, 282079-2, 282090-1, 282080-1	

Customer: Maverick Electronics(155785)

Location: MCALLEN

Agreement Number: Agreement Unknown

Part Number(s) being Modified:

Part Number	Part Discontinued per PCN	Customer Drawing	Customer Part Number	Alias Part Number(s)	Substitute Part Number	Substitute Alias Part Number(s)	Description Of Difference
282079-2	NO						

The documents listed below are being modified. Related parts that are not explicitly listed on this PCN are not being modified or discontinued as per the PCN. The Last Order Date, Last Ship Date, First Date to Ship Changed Parts and last date for Mixed Shipments apply only to parts explicitly listed on this PCN.

Customer Drawing(s) Being Modified:

Drawing Number	Related Part Number	Customer Part Number	Current Revision	New Revision
282079	282079-2		F1	

Customer: Heilind Electronics(167811)

Location: Wilmington

Agreement Number: Agreement Unknown

Part Number(s) being Modified:

Part Number	Part Discontinued per PCN	Customer Drawing	Customer Part Number	Alias Part Number(s)	Substitute Part Number	Substitute Alias Part Number(s)	Description Of Difference
282080-1	NO						
282087-1	NO						
282088-1	NO						

The documents listed below are being modified. Related parts that are not explicitly listed on this PCN are not being modified or discontinued as per the PCN. The Last Order Date, Last Ship Date, First Date to Ship Changed Parts and last date for Mixed Shipments apply only to parts explicitly listed on this PCN.

Customer Drawing(s) Being Modified:

Drawing Number	Related Part Number	Customer Part Number	Current Revision	New Revision
282080	282087-1, 282088-1, 282080-1		C6	
282087	282087-1, 282088-1, 282080-1		B5	
282088	282087-1, 282088-1, 282080-1		B4	

Customer: Heilind Electronics Inc(2873182)

Location: Plano

Agreement Number: Agreement Unknown

Part Number(s) being Modified:

Part Number	Part Discontinued per PCN	Customer Drawing	Customer Part Number	Alias Part Number(s)	Substitute Part Number	Substitute Alias Part Number(s)	Description Of Difference
282090-1	NO						

The documents listed below are being modified. Related parts that are not explicitly listed on this PCN are not being modified or discontinued as per the PCN. The Last Order Date, Last Ship Date, First Date to Ship Changed Parts and last date for Mixed Shipments apply only to parts explicitly listed on this PCN.

Customer Drawing(s) Being Modified:

Drawing Number	Related Part Number	Customer Part Number	Current Revision	New Revision
282090	282090-1		D2	

Customer: Kotek Eletro Eletronica Ltda(40269)

Location: SAO PAULO

Agreement Number: Agreement Unknown

Part Number(s) being Modified:

Part Number	Part Discontinued per PCN	Customer Drawing	Customer Part Number	Alias Part Number(s)	Substitute Part Number	Substitute Alias Part Number(s)	Description Of Difference
282080-1	NO						
282088-1	NO						
282089-1	NO						
282090-1	NO						

The documents listed below are being modified. Related parts that are not explicitly listed on this PCN are not being modified or discontinued as per the PCN. The Last Order Date, Last Ship Date, First Date to Ship Changed Parts and last date for Mixed Shipments apply only to parts explicitly listed on this PCN.

Customer Drawing(s) Being Modified:

Drawing Number	Related Part Number	Customer Part Number	Current Revision	New Revision
282080	282089-1, 282088-1, 282090-1, 282080-1		C6	
282088	282089-1, 282088-1, 282090-1, 282080-1		B4	
282089	282089-1, 282088-1, 282090-1, 282080-1		C5	
282090	282089-1, 282088-1, 282090-1, 282080-1		D2	

Customer: Kotek Eletro Eletronica Ltda(44423)

Location: SAO PAULO

Agreement Number: Agreement Unknown

Part Number(s) being Modified:

Part Number	Part Discontinued per PCN	Customer Drawing	Customer Part Number	Alias Part Number(s)	Substitute Part Number	Substitute Alias Part Number(s)	Description Of Difference
282079-2	NO						
282080-1	NO						
282087-1	NO						
282088-1	NO						
282089-1	NO						
282090-1	NO						

The documents listed below are being modified. Related parts that are not explicitly listed on this PCN are not being modified or discontinued as per the PCN. The Last Order Date, Last Ship Date, First Date to Ship Changed Parts and last date for Mixed Shipments apply only to parts explicitly listed on this PCN.

Customer Drawing(s) Being Modified:

Drawing Number	Related Part Number	Customer Part Number	Current Revision	New Revision
282079	282089-1, 282087-1, 282088-1, 282079-2, 282090-1, 282080-1		F1	
282080	282089-1, 282087-1, 282088-1, 282079-2, 282090-1, 282080-1		C6	
282087	282089-1, 282087-1, 282088-1, 282079-2, 282090-1, 282080-1		B5	
282088	282089-1, 282087-1, 282088-1, 282079-2, 282090-1, 282080-1		B4	
282089	282089-1, 282087-1, 282088-1, 282079-2, 282090-1, 282080-1		C5	
282090	282089-1, 282087-1, 282088-1, 282079-2, 282090-1, 282080-1		D2	

Customer: Maverick Electronics(155785)

Location: MCALLEN

Agreement Number: Agreement Unknown

Part Number(s) being Modified:

Part Number	Part Discontinued per PCN	Customer Drawing	Customer Part Number	Alias Part Number(s)	Substitute Part Number	Substitute Alias Part Number(s)	Description Of Difference
282079-2	NO						

The documents listed below are being modified. Related parts that are not explicitly listed on this PCN are not being modified or discontinued as per the PCN. The Last Order Date, Last Ship Date, First Date to Ship Changed Parts and last date for Mixed Shipments apply only to parts explicitly listed on this PCN.

Customer Drawing(s) Being Modified:

Drawing Number	Related Part Number	Customer Part Number	Current Revision	New Revision
282079	282079-2		F1	

Customer: Heilind Electronic(1341448)

Location: Markham

Agreement Number: Agreement Unknown

Part Number(s) being Modified:

Part Number	Part Discontinued per PCN	Customer Drawing	Customer Part Number	Alias Part Number(s)	Substitute Part Number	Substitute Alias Part Number(s)	Description Of Difference
282080-1	NO						

Part Number	Part Discontinued per PCN	Customer Drawing	Customer Part Number	Alias Part Number(s)	Substitute Part Number	Substitute Alias Part Number(s)	Description Of Difference
282088-1	NO						

The documents listed below are being modified. Related parts that are not explicitly listed on this PCN are not being modified or discontinued as per the PCN. The Last Order Date, Last Ship Date, First Date to Ship Changed Parts and last date for Mixed Shipments apply only to parts explicitly listed on this PCN.

Customer Drawing(s) Being Modified:

Drawing Number	Related Part Number	Customer Part Number	Current Revision	New Revision
282080	282088-1, 282080-1		C6	
282088	282088-1, 282080-1		B4	