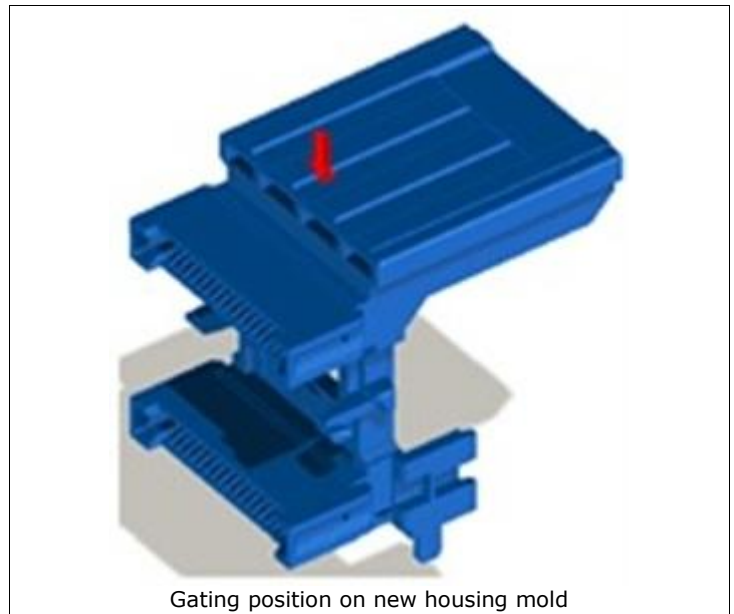
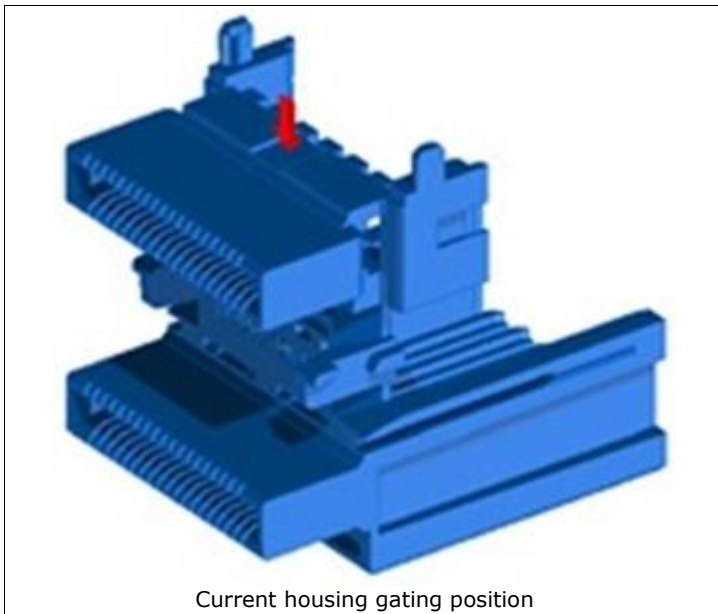


Global Change Notification (GCN)

Product Family	zQSFP+	10730795
		GCN Number
Series	Multiple	November 20, 2015
		Date Issued
Reason For Change	New, Modified, Or Replacement Tooling	
Change Description	Molex is building 2 new molds for better production capacity of the Lightpipe and housing component used in zQSFP+ connector. The gating point of the housing new mold will be different from the current mold as shown. Both new molds will be used in production at Molex Singapore Plant. This change will not affect Form, Fit, or Function of the product. The new molds will be internally qualified before using for mass production. Products made in or after Jan 16 will contain components from the new mold.	



Part Numbers Affected	Please refer to CustomerPartList.csv attached to e-mail message.
Reason For Short Notice Exception	New Capacity
Assessment Of Change (How Product Will Be Qualified & Validated)	Molex internal qualification test
Internal Molex Qualification Date (Planned Date Information Available)	November 16, 2015
Sample Availability Date (Changed Part)	November 16, 2015
Date of Implementation	January 01, 2016
Method of Identifying Change	Date code after 1st Jan 2016
Recommended Replacement Parts	N.A.
Last Time Buy Date for Obsolete Parts	
Last Time Ship Date for Obsolete Parts	

Contact	Name	E-mail	Phone Number
Sales Engineer	Please refer to e-mail message for your local sales engineer.		
Regional Coordinator (Japan and Korea)	Naomi Maruyama	Naomi.Maruyama@molex.co.jp	+81-46-265-2416
Regional Coordinator (Asia- excluding Japan and Korea)	Allen Yu	Allen.Yu@molex.com	+886-2-66251751
Regional Coordinator (Europe, Middle East, Africa)	Agnes Mburu	Agnes.Mburu@molex.com	+31-40-295-8271
Regional Coordinator (Americas)	Maria Sullivan	Maria.Sullivan@molex.com	1-727-322-4352

Molex, Inc.
 2222 Wellington Court
 Lisle, IL 60532
 TEL: 630-969-4747
www.molex.com