

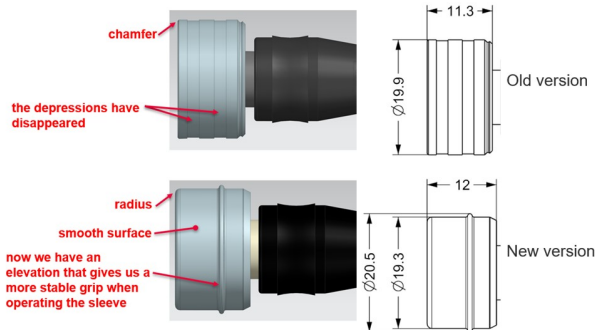


Product Change Notification (PCN)

PCN Number	508462	Date Issued	April 01, 2021
Reason for Change	Change to Product		
Change Type Description	This letter is to inform you that changes are being made to the part(s) identified in this Notice. The change may affect the fit, form, function or appearance of the parts, or it may result in a change to the specification. The pictures below show an example of the possible differences.		
Assessment of Change	Product will be fully qualified before it is shipped. Qualification reports will be available after below listed date		
Internal Molex Qualification Date	October 29, 2021		
Sample Availability Date (Changed Part)	October 29, 2021		
Planned Implementation Date	December 31, 2021		
Method of Identifying Change	No special marking on the product or packaging		

RELEASED

Before Change



After Change

Overview

- Molex decided to change design of Ultra-Lock sleeves
- Product Impact
 - No new color
 - Mating feeling is the same
 - Function is the same
 - Small change in the diameter +0,6mm
 - The sleeve will generally be made of a higher quality material -> stainless steel
 - Better grip with the new sleeve
 - Smoother surface on the sleeve
- Part Number Impact
 - See attached impacted parts list
- Qualification Reports and samples available upon request after the date shown above



Product Change Notification (PCN)

You may address any technical inquiries regarding this PCN by sending E-mail to pcn_coordinator@molex.com or your Local Sales Engineer.

Note: While responding, please retain "**PCN Notification:508462**" in the e-mail Subject line for faster response.

RELEASED

Molex, LLC
2222 Wellington Court
Lisle, IL 60532
TEL: 630-969-4747
www.molex.com

PCN #	Molex Part #
508462	1200790239
508462	1200798046
508462	1200835310
508462	1200669507
508462	1200855014