



# Product Change Notification

<b>Date Issued :</b>	March 22, 2022	<b>PCN Number :</b>	511664
<b>Reason for Change :</b>	Change Supplier		
<b>Description of Change :</b>	This notification is to inform you that a supplier to Molex Lincoln Nebraska, plant 3104, is changing it's mill source for raw material used for the impacted parts listed. This change is being completed so that the supplier can keep up with current and future demand for material. No changes will be made to product as part of this change.		
<b>Reason for Short Notice :</b>	Capacity Increase		
<b>Assessment of Change :</b>	First Article Inspection		
<b>Planned Implementation Date :</b>	May 13, 2022		
<b>Sample Availability Date:</b>	April 29, 2022		
<b>Internal Molex Qualification Date :</b>	April 29, 2022		
<b>Last date to request Samples by Customer :</b>	May 09, 2022		
<b>Traceability Code Markings / Date :</b>	Lot information on label		

Before Picture

## ■ Mini-Fit Sr Terminals

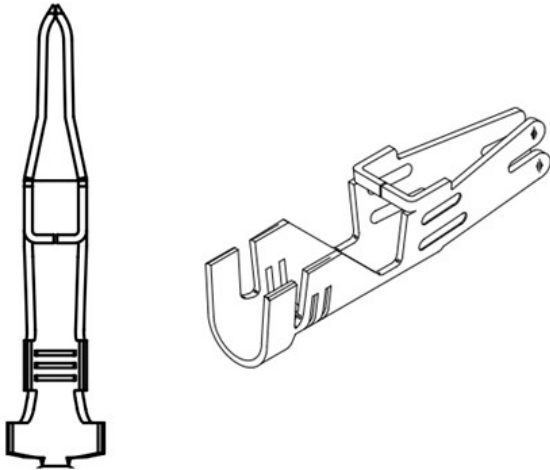


Photo is used as representation of product only.

After Picture

## Overview

- Molex supplier is changing mill source for raw material
  - New mill source is a Molex approved source
  - Change only for Molex Lincoln Plant 3104
  - Mill source change will not result in new supplier or new supplier location. Molex Lincoln will still receive raw material from same supplier and same supplier location.
  
- There is NO impact to Fit, Form or Function
  
- Samples available upon request after date shown above
  
- Part Numbers Impacted
  - See attached list

# RELEASED

You may address inquiries regarding this PCN by clicking on the below link  
[mailto:pcn\\_coordinator@molex.com?subject=PCN\\_Notification:511664](mailto:pcn_coordinator@molex.com?subject=PCN_Notification:511664)  
or contact your Local Sales Engineer.

Note: While responding, please retain " PCN Notification : **PCN Notification: 511664** " in the e-mail Subject line for faster response.

[Molex, LLC](#)  
2222 Wellington Court  
Lisle, IL 60532  
TEL (800) 786-6539  
[www.molex.com](http://www.molex.com)

<b>PCN No</b>	<b>Part List</b>
511664	428150011
511664	428150012
511664	428150031
511664	428150032
511664	428150041
511664	428150042
511664	428150114
511664	428150134
511664	428150144
511664	428170011
511664	428170012
511664	428170031
511664	428170032
511664	428170041
511664	428170042
511664	428170112
511664	428170132
511664	428170141
511664	428171014
511664	428171034
511664	428171044
511664	428171114