

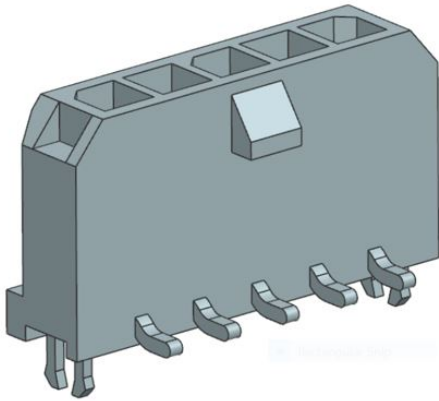


# Product Change Notification

<b>Date Issued :</b>	July 18, 2022	<b>PCN Number :</b>	512326
<b>Reason for Change :</b>	Capacity change or tool replacement		
<b>Description of Change :</b>	This notification is to inform you about set of tooling is being added to meet the current and future demands of this product referenced below. There will be no changes in fit, form or function from additional tooling when compared to the existing tooling		
<b>Reason for Short Notice :</b>	Capacity Increase		
<b>Assessment of Change :</b>	First Article Inspection		
<b>Planned Implementation Date :</b>	October 18, 2022		
<b>Sample Availability Date:</b>	July 10, 2022		
<b>Internal Molex Qualification Date :</b>	July 31, 2022		
<b>Last date to request Samples by Customer :</b>	August 15, 2022		
<b>Traceability Code Markings / Date :</b>	Date code		

Before Picture

## Affected Product Photos



Series# 43650

3D

After Picture

## CFD

- Expanding capacity for Micro-Fit Single Row vertical SMT HDR with clip to Molex Shanghai plant, the capacity for the header assembly and components are release under PCN# 509617 which implemented in 2021.
  
  - Customers will be supplied from either Molex Nogales or Shanghai production facilities going forward
  
  - Product Impact
    - No impact on fit , form or function
  - Part Number Impact list as below:
    - ✓ 2ckt: 436500221, 436500223
    - ✓ 3ckt: 436500322
    - ✓ 4ckt: 436500421, 436500422, 436500423
    - ✓ 5ckt: 436500522
  - Qualification Reports and samples available upon request after the date shown above
- TARGET IMPLEMENTATION DATE:

# RELEASED

You may address inquires regarding this PCN by clicking on the below link  
[mailto:pcn\\_coordinator@molex.com?subject=PCN\\_Notification:512326](mailto:pcn_coordinator@molex.com?subject=PCN_Notification:512326)  
or contact your Local Sales Engineer.

Note: While responding, please retain " PCN Notification : **PCN Notification: 512326** " in the e-mail Subject line for faster response.

[Molex, LLC](#)  
2222 Wellington Court  
Lisle, IL 60532  
TEL (800) 786-6539  
[www.molex.com](http://www.molex.com)

PCN No	Part List
512326	436500221
512326	436500223
512326	436500322
512326	436500421
512326	436500422
512326	436500423
512326	436500522