



Product Change Notification

Date Issued :	January 26, 2023	PCN Number :	513283
Reason for Change :	Capacity change or tool replacement		
Description of Change :	This notification is to inform you that Molex Lincoln Nebraska is going to add additional tooling to meet the current and future demands of the product referenced below. There will be no changes in fit, form or function from additional tooling when compared to the existing tooling.		
Assessment of Change :	First Article Inspection SPC / Capability Studies		
Planned Implementation Date :	July 27, 2023		
Sample Availability Date:	May 24, 2023		
Internal Molex Qualification Date :	May 24, 2023		
Last date to request Samples by Customer :	June 30, 2023		
Traceability Code Markings / Date :	Product made after planned implementation date can contain the change		

Before Picture

■ 42240

— MiniFit Vertical BMI Header

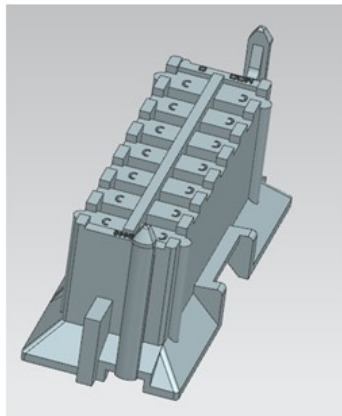


Photo is used as representation of product only. MiniFit Vertical BMI Headers may come in different circuit sizes and colors

After Picture

Overview

- To ensure exceptional quality, Molex Lincoln, Nebraska is going to replace tooling which produces the affected part numbers
 - New tooling will be an exact replica of current tooling
- There is NO impact to Fit, Form or Function
- Samples available upon request after date shown above
- Part Numbers Impacted
 - See attached list

RELEASED

You may address inquires regarding this PCN by clicking on the below link
mailto:pcn_coordinator@molex.com?subject=PCN_Notification:513283
or contact your Local Sales Engineer.

Note: While responding, please retain " PCN Notification : **PCN Notification: 513283** " in the e-mail Subject line for faster response.

[Molex, LLC](#)
2222 Wellington Court
Lisle, IL 60532
TEL (800) 786-6539
www.molex.com

PCN No	Part List
513283	15246141
513283	15246142
513283	15286141
513283	15286142
513283	434590024
513283	460111401
513283	460111403
513283	460115001