

Heyco Products

Engineering Change Customer Notification Form

June 9, 2023

Please be informed the following changes have been made. Our records show you have purchased the parts below or requested notification of changes.

**Part #: 9389, 9392, 9393, 9398, 9400, 9403, 9406, 9419, 9426, 9428, 9433
9394 9395**

Description: Terminal Blocks

Effective Date of Change: Immediately or as stock depletes

Summary of Change:

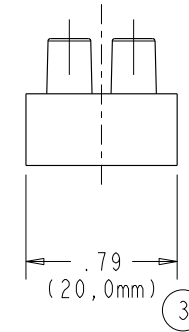
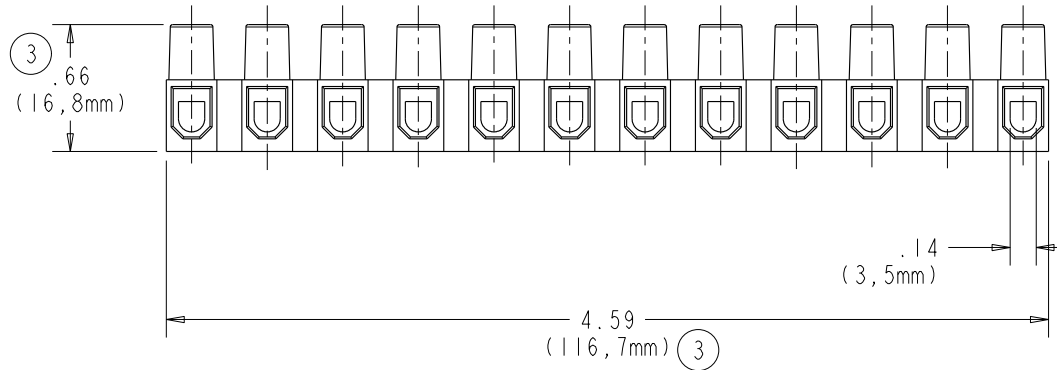
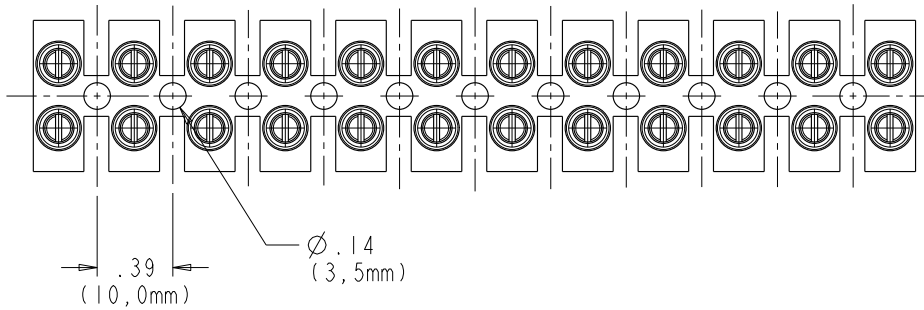
Due to supply disruptions, Heyco has an alternate part for the items listed below. There are some slight dimensional differences. Prints are attached for your review.

9389 TB OB WP-2P NATURAL
9392 TB IB WP-3P NATURAL
9393 TB OB WP-12P NATURAL
9394 TB 1B WP-2P NATURAL
9395 TB 1B WP-3P NATURAL
9398 TB IB WP-12P NATURAL
9400 TB 2B WP-3P NATURAL
9403 TB 2B WP-12P NATURAL
9406 TB 2B WP-4P NATURAL
9419 TB OB FR WP-2P WHITE
9426 TB IB FR WP-4P WHITE
9428 TB IB FR WP-12P WHITE
9433 TB 2B FR WP-12P WHITE

If you have any questions or samples, please call your Heyco Customer Service Representative at 800-526-4182.

Thank you for your continued support.

Heyco Products



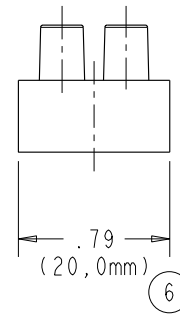
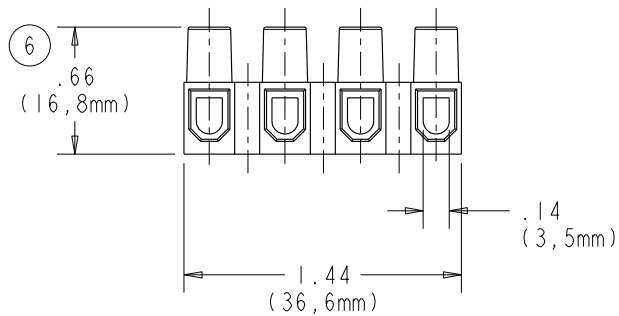
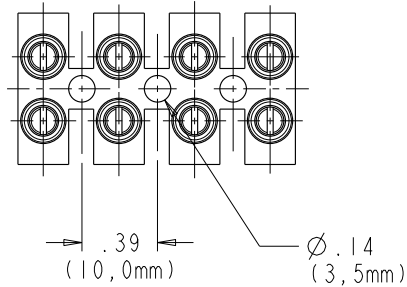
PART NUMBER	DESCRIPTION	MATERIAL	COLOR
9398	TB 1B WP-12P	NYLON 6/6 94V-2	NATURAL
9428	TB 1B FR WP-12P	NYLON 6/6 94V-0	WHITE

NOTE:
DIMENSIONS IN PARENTHESES ARE APPROXIMATE
METRIC CONVERSIONS ROUNDED OFF TO ONE PLACE
AND THE GENERAL TOLERANCES DO NOT APPLY.

INCH TOLERANCE UNLESS OTHERWISE SPECIFIED: .XX± .015 .XXX± .005 ANGULAR± 1°

MILLIMETER TOLERANCE UNLESS OTHERWISE SPECIFIED: 0-10 ± .2; 10.01-30 ± .35; ABOVE 30 ± .5

MATERIAL:	 HEYCO PRODUCTS, INC. TOMS RIVER, NEW JERSEY <small>HEYCO PRODUCTS, INC. claims proprietary rights to the material disclosed hereon. This drawing and/or technical information is the property of HEYCO PRODUCTS, INC. is issued in confidence for use only as authorized, and may not be reproduced or described or shown to others without written permission from HEYCO PRODUCTS, INC.</small>	DESCRIPTION:	9398-9428 CUSTOMER DRAWING FOR TERMINAL BLOCK 12-POLE PART No. REV.: 3
HOUSING: SEE TABLE			
INSERT: STEEL (ZN PLATED)			
SCREWS: M2,6 STEEL (ZN PLATED)			
CLAMPING AREA: 0,75-4,0mm ²			



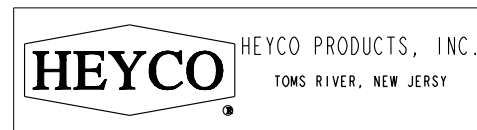
PART NUMBER	DESCRIPTION	MATERIAL	COLOR
9426	TB IB FR WP-4P	NYLON 6/6 94V-0	WHITE

NOTE:
DIMENSIONS IN PARENTHESES ARE APPROXIMATE
METRIC CONVERSIONS ROUNDED OFF TO ONE PLACE
AND THE GENERAL TOLERANCES DO NOT APPLY.

INCH TOLERANCE UNLESS OTHERWISE SPECIFIED: .XX± .015 .XXX± .005 ANGULAR± 1°

MILLIMETER TOLERANCE UNLESS OTHERWISE SPECIFIED: 0-10 ± .2; 10.01-30 ± .35; ABOVE 30 ± .5

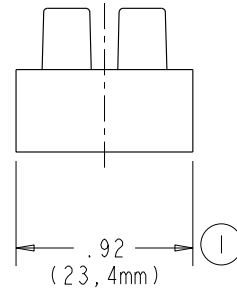
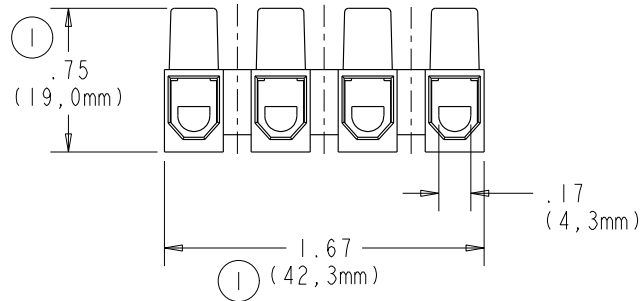
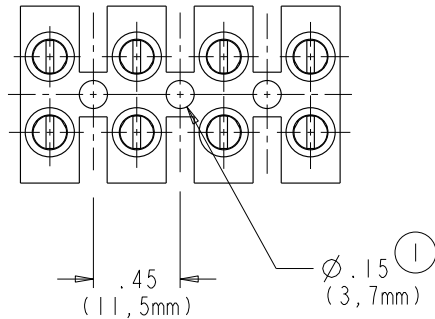
MATERIAL:
HOUSING: SEE TABLE
INSERT: STEEL (ZN PLATED)
SCREWS: M2,6 STEEL (ZN PLATED)
CLAMPING AREA: 0,75-4,0mm ²



HEYCO PRODUCTS, INC. claims proprietary rights to the material disclosed hereon. This drawing and/or technical information is the property of HEYCO PRODUCTS, INC. is issued in confidence for use only as authorized, and may not be reproduced or described or shown to others without written permission from HEYCO PRODUCTS, INC.

DESCRIPTION:
CUSTOMER DRAWING FOR TERMINAL BLOCK 4-POLE

9426
PART No.
REV.: 6



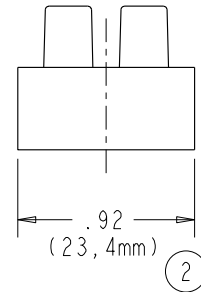
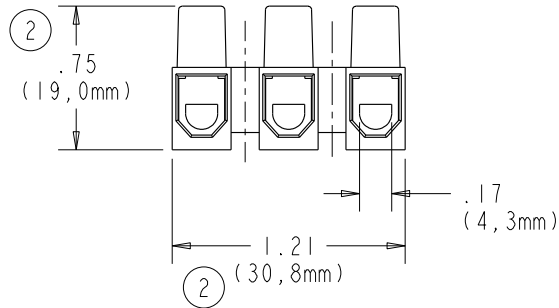
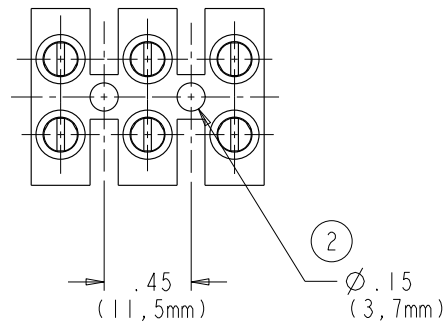
PART NUMBER	DESCRIPTION	MATERIAL	COLOR
9406	TB 2B-WP-4P	NYLON 6/6 94V-2	NATURAL

NOTE:
 DIMENSIONS IN PARENTHESES ARE APPROXIMATE
 METRIC CONVERSIONS ROUNDED OFF TO ONE PLACE
 AND THE GENERAL TOLERANCES DO NOT APPLY.

INCH TOLERANCE UNLESS OTHERWISE SPECIFIED: .XX± .015 .XXX± .005 ANGULAR± 1°

MILLIMETER TOLERANCE UNLESS OTHERWISE SPECIFIED: 0-10 ± .2; 10.01-30 ± .35; ABOVE 30 ± .5

MATERIAL:	 <p>HEYCO PRODUCTS, INC. claims proprietary rights to the material disclosed herein. This drawing and/or technical information is the property of HEYCO PRODUCTS, INC. is issued in confidence for use only as authorized, and may not be reproduced or described or shown to others without written permission from HEYCO PRODUCTS, INC.</p>	DESCRIPTION:	9406
HOUSING: SEE TABLE		CUSTOMER DRAWING FOR TERMINAL BLOCK 4-POLE WITH WIRE PROTECTOR	
INSERT: STEEL (ZN PLATED)			REV.: 1
SCREWS: M3,5 STEEL (ZN PLATED)			
CLAMPING AREA: 2,5-6,0mm ²			



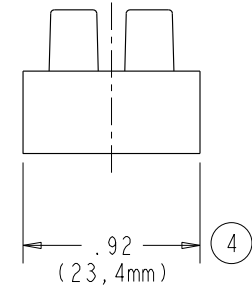
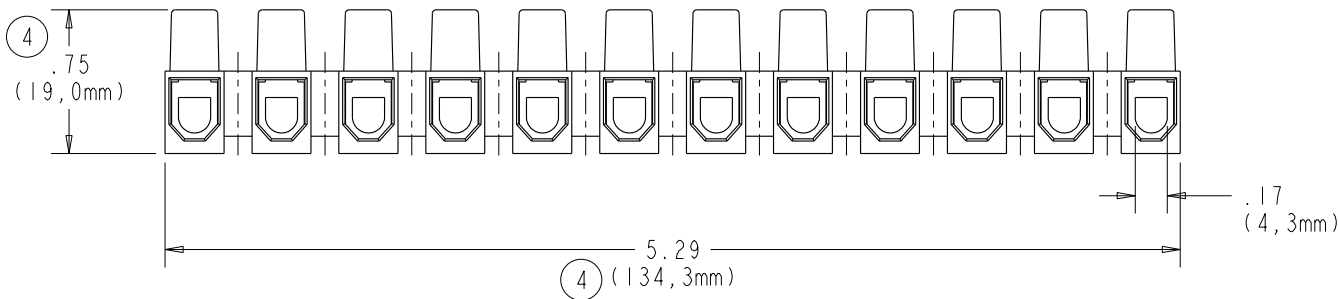
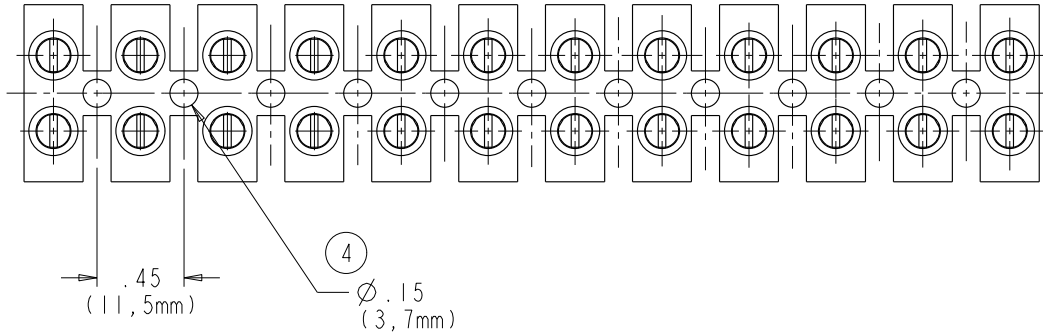
PART NUMBER	DESCRIPTION	MATERIAL	COLOR
9400	TB 2B-WP-3P	NYLON 6/6 94V-2	NATURAL

NOTE:
 DIMENSIONS IN PARENTHESES ARE APPROXIMATE
 METRIC CONVERSIONS ROUNDED OFF TO ONE PLACE
 AND THE GENERAL TOLERANCES DO NOT APPLY.

INCH TOLERANCE UNLESS OTHERWISE SPECIFIED: .XX± .015 .XXX± .005 ANGULAR± 1°

MILLIMETER TOLERANCE UNLESS OTHERWISE SPECIFIED: 0-10 ± .2; 10.01-30 ± .35; ABOVE 30 ± .5

MATERIAL:	 <p>HEYCO PRODUCTS, INC. claims proprietary rights to the material disclosed hereon. This drawing and/or technical information is the property of HEYCO PRODUCTS, INC. is issued in confidence for use only as authorized, and may not be reproduced or described or shown to others without written permission from HEYCO PRODUCTS, INC.</p>	DESCRIPTION:	9400
HOUSING: SEE TABLE		CUSTOMER DRAWING FOR TERMINAL BLOCK 3-POLE WITH WIRE PROTECTOR	
INSERT: STEEL (ZIN PLATED)			REV.: 2
SCREWS: M3,5 STEEL (ZIN PLATED)			
CLAMPING AREA: 2,5-6,0mm ²			



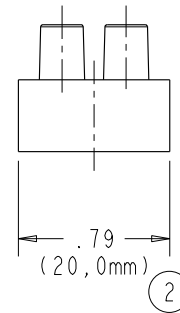
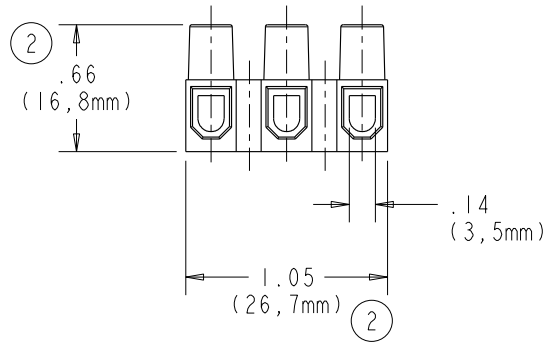
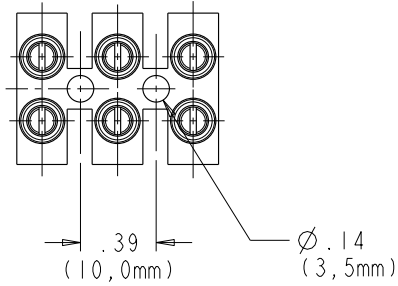
PART NUMBER	DESCRIPTION	MATERIAL	COLOR
9403	TB 2B WP-12P	NYLON 6/6 94V-2	NATURAL
9433	TB 2B FR WP-12P	NYLON 6/6 94V-0	WHITE

NOTE:
DIMENSIONS IN PARENTHESES ARE APPROXIMATE
METRIC CONVERSIONS ROUNDED OFF TO ONE PLACE
AND THE GENERAL TOLERANCES DO NOT APPLY.

INCH TOLERANCE UNLESS OTHERWISE SPECIFIED: .XX± .015 .XXX± .005 ANGULAR± 1°

MILLIMETER TOLERANCE UNLESS OTHERWISE SPECIFIED: 0-10 ± .2; 10.01-30 ± .35; ABOVE 30 ± .5

MATERIAL:	 HEYCO PRODUCTS, INC. TOMS RIVER, NEW JERSEY <small>HEYCO PRODUCTS, INC. claims proprietary rights to the material disclosed hereon. This drawing and/or technical information is the property of HEYCO PRODUCTS, INC. It is issued in confidence for use only as authorized, and may not be reproduced or described or shown to others without written permission from HEYCO PRODUCTS, INC.</small>	DESCRIPTION:	<div style="text-align: right;">⑤</div> 9403-9433 PART No. REV.: 5
HOUSING: SEE TABLE		CUSTOMER DRAWING FOR TERMINAL BLOCK 12-POLE WITH WIRE PROTECTOR	
INSERT: STEEL (ZIN PLATED)			
SCREWS: M3,5 STEEL (ZIN PLATED)			
CLAMPING AREA: 2,5-10,0mm ²			



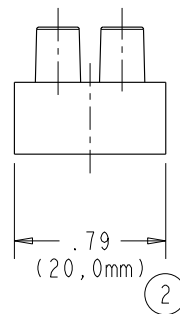
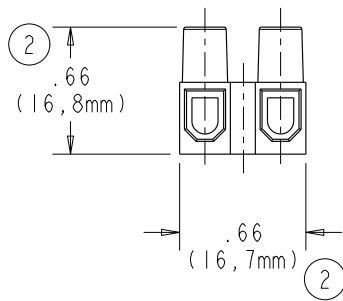
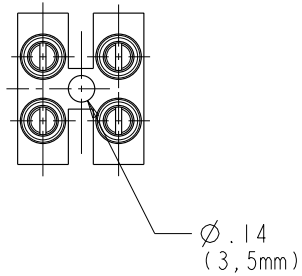
PART NUMBER	DESCRIPTION	MATERIAL	COLOR
9395	TB 1B WP-3P	NYLON 6/6 94V-2	NATURAL

NOTE:
 DIMENSIONS IN PARENTHESES ARE APPROXIMATE
 METRIC CONVERSIONS ROUNDED OFF TO ONE PLACE
 AND THE GENERAL TOLERANCES DO NOT APPLY.

INCH TOLERANCE UNLESS OTHERWISE SPECIFIED: .XX± .015 .XXX± .005 ANGULAR± 1°

MILLIMETER TOLERANCE UNLESS OTHERWISE SPECIFIED: 0-10 ± .2; 10.01-30 ± .35; ABOVE 30 ± .5

MATERIAL:	 <p>HEYCO PRODUCTS, INC. claims proprietary rights to the material disclosed herein. This drawing and/or technical information is the property of HEYCO PRODUCTS, INC. It is issued in confidence for use only as authorized, and may not be reproduced or described or shown to others without written permission from HEYCO PRODUCTS, INC.</p>	DESCRIPTION:	9395
HOUSING: SEE TABLE		CUSTOMER DRAWING FOR TERMINAL BLOCK 3-POLE	
INSERT: STEEL (ZIN PLATED)			REV.: 2
SCREWS: M2,6 STEEL (ZIN PLATED)			
CLAMPING AREA: 0,75-4,0mm ²			



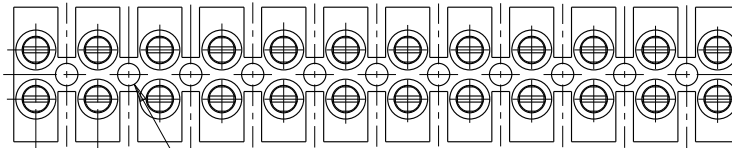
PART NUMBER	DESCRIPTION	MATERIAL	COLOR
9394	TB 1B WP-2P	NYLON 6/6 94V-2	NATURAL

NOTE:
 DIMENSIONS IN PARENTHESES ARE APPROXIMATE
 METRIC CONVERSIONS ROUNDED OFF TO ONE PLACE
 AND THE GENERAL TOLERANCES DO NOT APPLY.

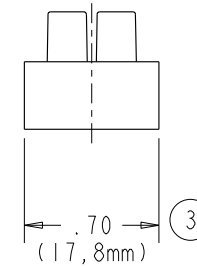
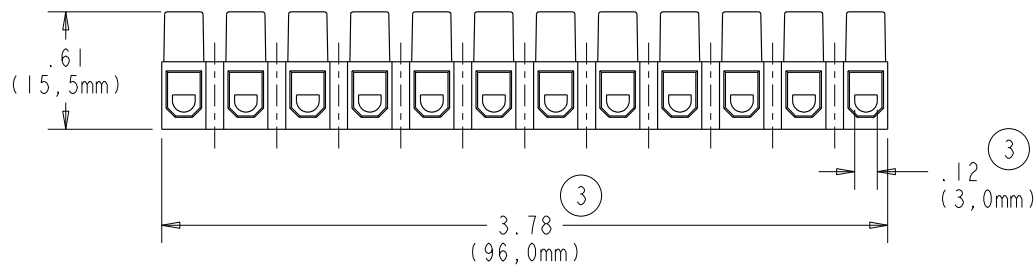
INCH TOLERANCE UNLESS OTHERWISE SPECIFIED: .XX± .015 .XXX± .005 ANGULAR± 1°

MILLIMETER TOLERANCE UNLESS OTHERWISE SPECIFIED: 0-10 ± .2; 10.01-30 ± .35; ABOVE 30 ± .5

MATERIAL:	 <p>HEYCO PRODUCTS, INC. claims proprietary rights to the material disclosed hereon. This drawing and/or technical information is the property of HEYCO PRODUCTS, INC. It is issued in confidence for use only as authorized, and may not be reproduced or described or shown to others without written permission from HEYCO PRODUCTS, INC.</p>	DESCRIPTION:	9394
HOUSING: SEE TABLE		CUSTOMER DRAWING FOR TERMINAL BLOCK 2-POLE	
INSERT: STEEL (ZIN PLATED)			REV.: 2
SCREWS: M2,6 STEEL (ZIN PLATED)			
CLAMPING AREA: 0,75-4,0mm ²			



$\frac{.32}{(8,2\text{mm})}$ $\phi .12$ (3)
 $(3,0\text{mm})$



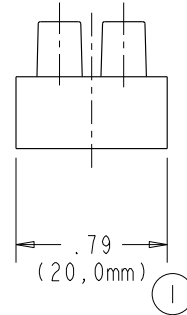
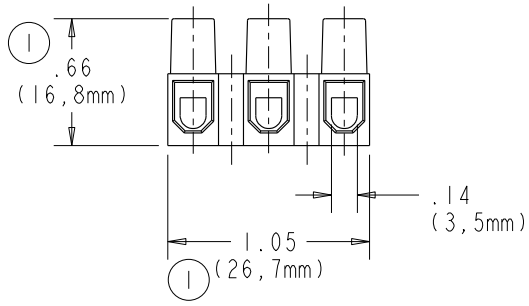
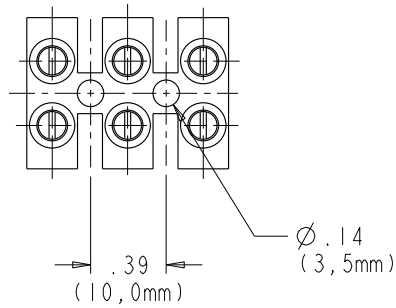
PART NUMBER	DESCRIPTION	MATERIAL	COLOR
9393	TB 0B-WP-12P	NYLON 6/6 94V-2	NATURAL

NOTE:
 DIMENSIONS IN PARENTHESES ARE APPROXIMATE
 METRIC CONVERSIONS ROUNDED OFF TO ONE PLACE
 AND THE GENERAL TOLERANCES DO NOT APPLY.

INCH TOLERANCE UNLESS OTHERWISE SPECIFIED: $.XX \pm .015$ $.XXX \pm .005$ ANGULAR $\pm 1^\circ$

MILLIMETER TOLERANCE UNLESS OTHERWISE SPECIFIED: 0-10 $\pm .2$; 10.01-30 $\pm .35$; ABOVE 30 $\pm .5$

MATERIAL:	 <p>HEYCO PRODUCTS, INC. claims proprietary rights to the material disclosed hereon. This drawing and/or technical information is the property of HEYCO PRODUCTS, INC. is issued in confidence for use only as authorized, and may not be reproduced or described or shown to others without written permission from HEYCO PRODUCTS, INC.</p>	DESCRIPTION:	9393
HOUSING: SEE TABLE		CUSTOMER DRAWING FOR TERMINAL BLOCK 12-POLE WITH WIRE PROTECTOR	
INSERT: STEEL (ZIN PLATED)			REV.: 3
SCREWS: M2,5 STEEL (ZIN PLATED)			
CLAMPING AREA: 0,5-2,5mm ²			



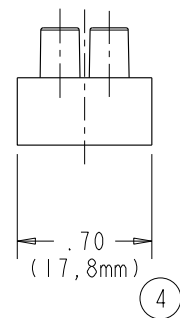
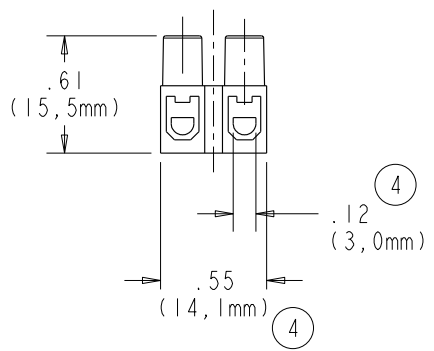
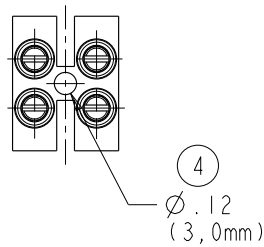
PART NUMBER	DESCRIPTION	MATERIAL	COLOR
9392	TB 1B WP-3P FLAT BASE	NYLON 6/6 94V-2	NATURAL

NOTE:
DIMENSIONS IN PARENTHESES ARE APPROXIMATE
METRIC CONVERSIONS ROUNDED OFF TO ONE PLACE
AND THE GENERAL TOLERANCES DO NOT APPLY.

INCH TOLERANCE UNLESS OTHERWISE SPECIFIED: .XX± .015 .XXX± .005 ANGULAR± 1°

MILLIMETER TOLERANCE UNLESS OTHERWISE SPECIFIED: 0-10 ± .2; 10.01-30 ± .35; ABOVE 30 ± .5

MATERIAL:	 <p>HEYCO PRODUCTS, INC. claims proprietary rights to the material disclosed hereon. This drawing and/or technical information is the property of HEYCO PRODUCTS, INC. is issued in confidence for use only as authorized, and may not be reproduced or described or shown to others without written permission from HEYCO PRODUCTS, INC.</p>	DESCRIPTION:	9392
HOUSING: SEE TABLE		CUSTOMER DRAWING FOR TERMINAL BLOCK 3-POLE FLAT BASE	
INSERT: STEEL (ZIN PLATED)			REV.: 1
SCREWS: M3 STEEL (ZIN PLATED)			
CLAMPING AREA: 0,75-6,0mm ²			



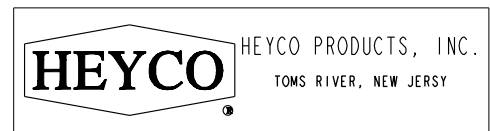
PART NUMBER	DESCRIPTION	MATERIAL	COLOR
9389	TB 0B WP-2P	NYLON 6/6 94V-2	NATURAL
9419	TB 0B FR WP-2P	NYLON 6/6 94V-0	WHITE

NOTE:
 DIMENSIONS IN PARENTHESES ARE APPROXIMATE
 METRIC CONVERSIONS ROUNDED OFF TO ONE PLACE
 AND THE GENERAL TOLERANCES DO NOT APPLY.

INCH TOLERANCE UNLESS OTHERWISE SPECIFIED: .XX± .015 .XXX± .005 ANGULAR± 1°

MILLIMETER TOLERANCE UNLESS OTHERWISE SPECIFIED: 0-10 ± .2; 10.01-30 ± .35; ABOVE 30 ± .5

MATERIAL:
HOUSING: SEE TABLE
INSERT: STEEL (ZN PLATED)
SCREWS: M2,5 STEEL (ZN PLATED)
CLAMPING AREA: 0,5-2,5mm ²



HEYCO PRODUCTS, INC. claims proprietary rights to the material disclosed hereon. This drawing and/or technical information is the property of HEYCO PRODUCTS, INC. is issued in confidence for use only as authorized, and may not be reproduced or described or shown to others without written permission from HEYCO PRODUCTS, INC.

DESCRIPTION:	9389-9419
CUSTOMER DRAWING FOR TERMINAL BLOCK 2-POLE WITH WIRE PROTECTOR	
PART No.	
	REV.: 4