

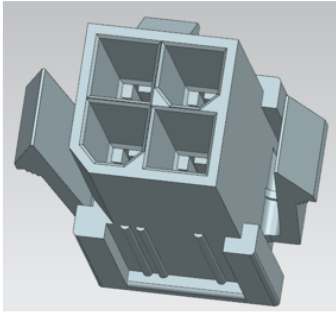


# Product Change Notification

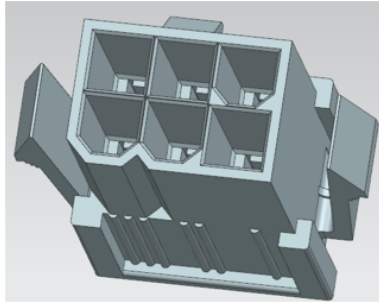
<b>Date Issued :</b>	November 14, 2023	<b>PCN Number :</b>	514515
<b>Reason for Change :</b>	Equipment Transfer, Production Transfer or Rearrangement		
<b>Description of Change :</b>	This notification is to inform about Production of the impacted part(s) in this PCN has been transferred to different location. No changes will be made to product as part of this change.		
<b>Reason for Short Notice :</b>	Capacity Increase		
<b>Assessment of Change :</b>	No change to parts - Form/Fit/Function		
<b>Planned Implementation Date :</b>	December 15, 2023		
<b>Sample Availability Date:</b>	November 15, 2023		
<b>Internal Molex Qualification Date :</b>	November 20, 2023		
<b>Last date to request Samples by Customer :</b>	November 20, 2023		
<b>Traceability Code Markings / Date :</b>	Date code		

Before Picture

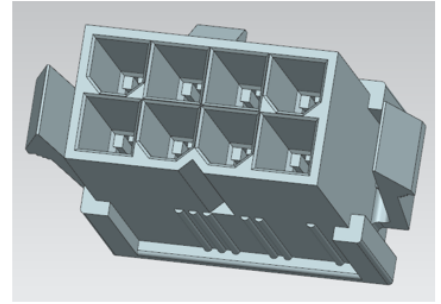
## Affected Product Photos



4ckt-39012041/39012046



6ckt-39012061/39012066



8ckt-39012081/39012086

After Picture

## Overview

- This PCN is to move Mini-fit 5559 4-8ckts housing manufacturing in house P2601 from outsource P2602 with add a new 16cavity mold.
- Product Impact
  - No impact to fit, form, function or packing method.
- Part Number Impact as below

Impact PNs
39012041
39012046
39012061
39012066
39012081
39012086

- Implement target: 2023/11/16

2156740051 Revision A

1

Molex Confidential Information  
© 2016 Molex – All Rights Reserved. Unauthorized Reproduction/Distribution is Prohibited.



# RELEASED

You may address inquires regarding this PCN by clicking on the below link  
[mailto:pcn\\_coordinator@molex.com?subject=PCN\\_Notification:514515](mailto:pcn_coordinator@molex.com?subject=PCN_Notification:514515)  
 or contact your Local Sales Engineer.

Note: While responding, please retain " PCN Notification : **PCN Notification: 514515** " in the e-mail Subject line for faster response.

[Molex, LLC](#)  
 2222 Wellington Court  
 Lisle, IL 60532  
 TEL (800) 786-6539  
[www.molex.com](http://www.molex.com)

<b>PCN No</b>	<b>Part List</b>
514515	39012041
514515	39012046
514515	39012061
514515	39012066
514515	39012081
514515	39012086
514515	366670059
514515	366670061
514515	366670062
514515	367120004
514515	367120008
514515	367120009
514515	367120036
514515	367120039
514515	367200020
514515	367200031
514515	367640014
514515	367680749
514515	367692612
514515	367810041
514515	367810115
514515	369060012
514515	369060013
514515	369060021
514515	369060022
514515	369100004
514515	369100005
514515	369100050
514515	369100051
514515	369100052
514515	369100053
514515	369100063
514515	369100111
514515	369100113
514515	369100137
514515	687870684
514515	796700009
514515	2153271043
514515	2153282043