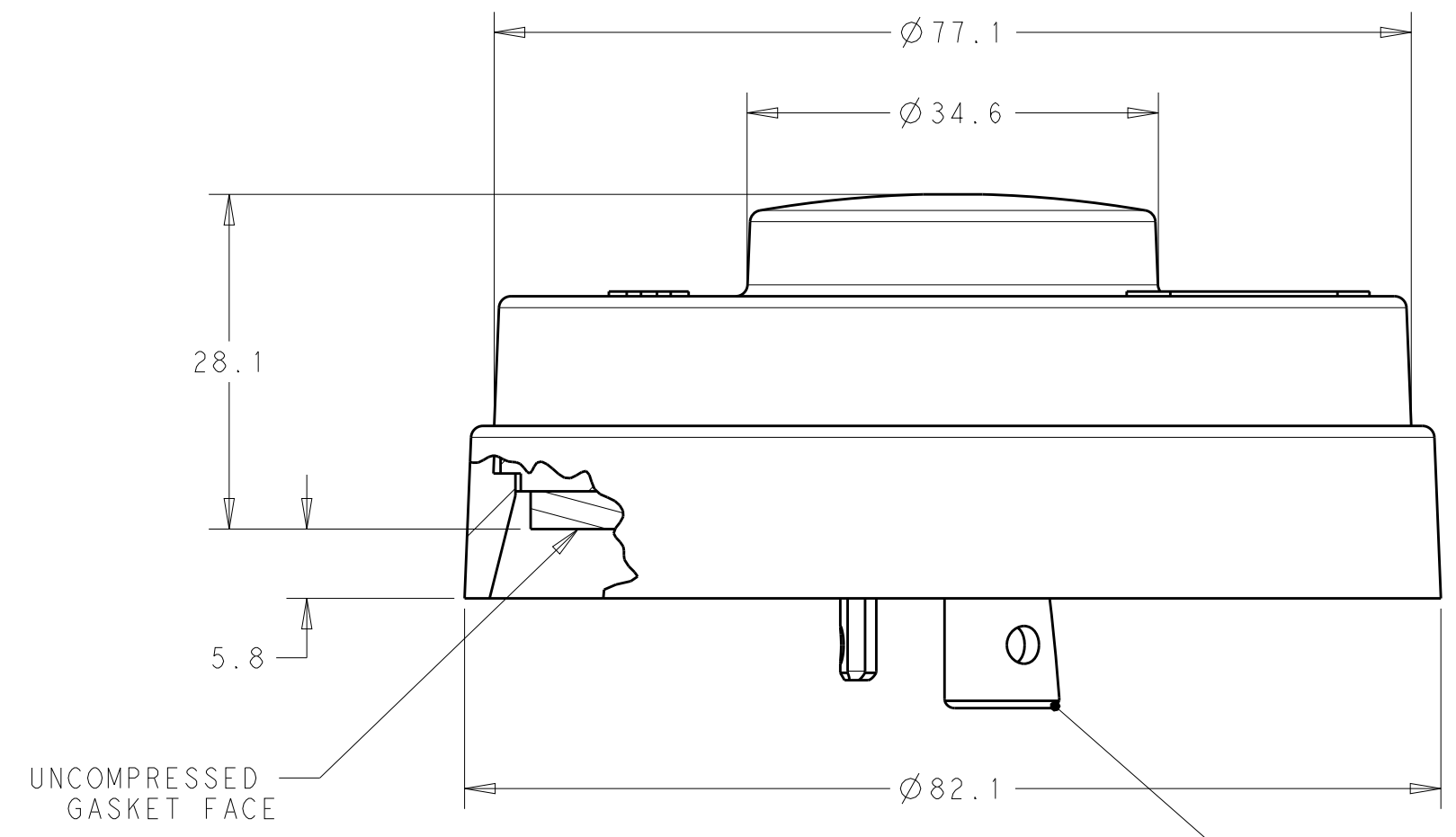
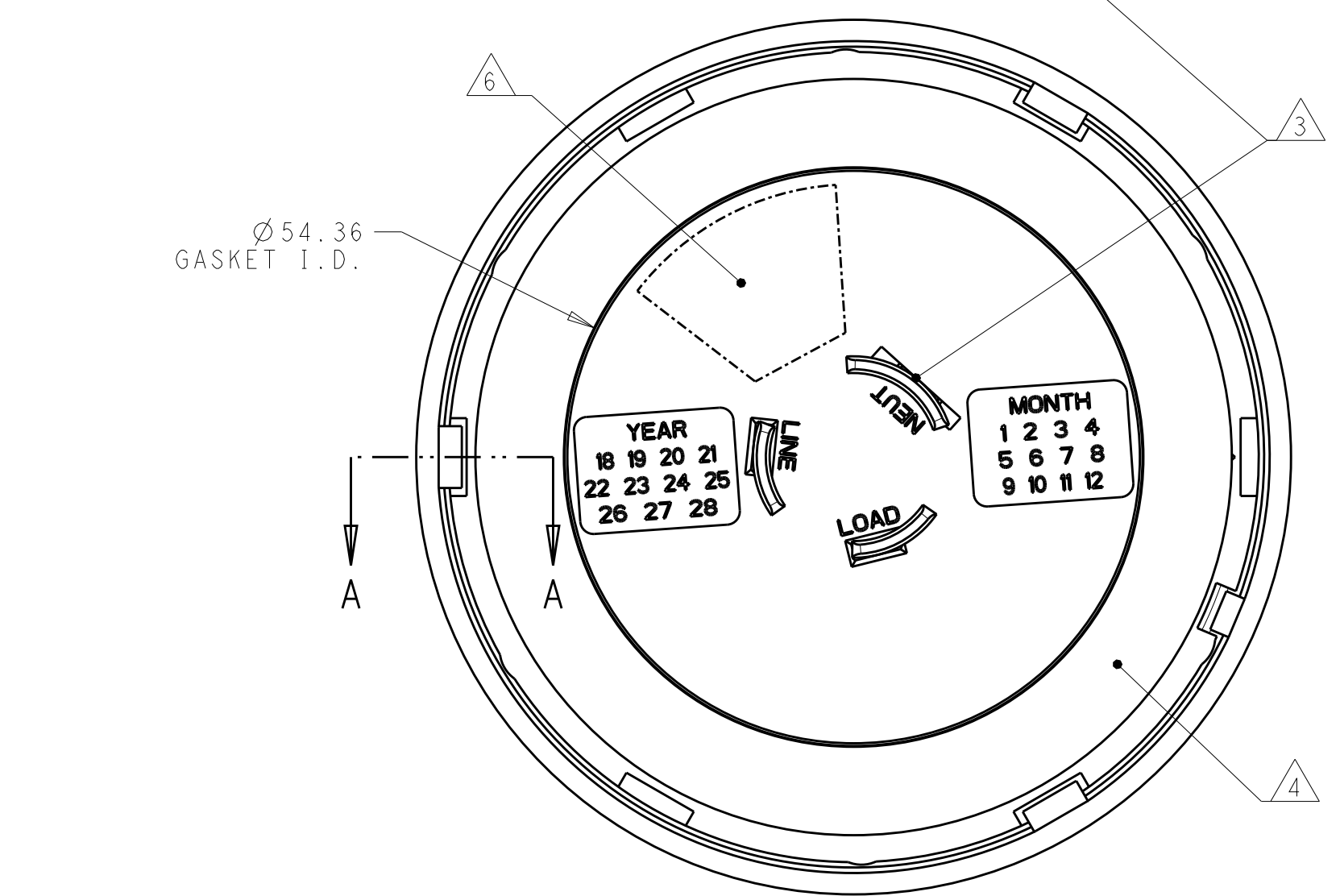


THIS DRAWING IS UNPUBLISHED. RELEASED FOR PUBLICATION
 © COPYRIGHT copyright dbTe- ALL RIGHTS RESERVED.

REVISIONS					
P	LTR	DESCRIPTION	DATE	DWN	APVD
A		RELEASE PER ECR-19-000700	16JAN2019	JS	DD
A1		REVISED PER ECR-19-003367	05MAR2019	SR	DD



SECTION A - A



- 1 MATERIALS:
 HOUSING: PBT
 LINE VOLTAGE CONTACTS: COPPER ALLOY
 SHORTING CLIP: COPPER ALLOY
 GASKET: NBR/PVC BLEND
 O-RING: SILICONE RUBBER
 COVER: PBT, UL UV-f1 RATED
- 2 FINISH:
 LINE VOLTAGE CONTACTS: MATTE TIN PLATE
- 3 MATING INTERFACE PER ANSI C136.10.
- 4 ADHESIVE BACKED GASKET APPLIED
- 5. THIS PRODUCT HAS NOT COMPLETED VALIDATION TESTING.
- 6 PRODUCT INFORMATION LABEL



TOP VIEW FOR REFERENCE

RED	OPEN	2328118-3
BLACK	SHORTING AND SURGE PROTECTION (545 JOULES)	2328118-2
BLACK	SHORTING	2328118-1
CAP COLOR	DESCRIPTION	PART NO.

THIS DRAWING IS A CONTROLLED DOCUMENT.		DWN C. DAILY 23JAN2018	STE TE Connectivity	
		CHK M. STOLLER 23JAN2018		
DIMENSIONS:	TOLERANCES UNLESS OTHERWISE SPECIFIED:	APVD	NAME ASSEMBLY, LUMAWISE SHORTING CAP	
mm	0 PLC ± 1 PLC ±0.2 2 PLC ±0.13 3 PLC ± 4 PLC ±	PRODUCT SPEC	SIZE	
	ANGLES ±1°	APPLICATION SPEC	CAGE CODE	DRAWING NO
MATERIAL	FINISH	WEIGHT	A200779	C-2328118
SEE TABLE		CUSTOMER DRAWING	SCALE 7:4	SHEET 1 OF 1
				REV A1